



# Quantum Flex™ Markers

www.QuantumMarkers.com • Anaheim, CA • 714-563-9749 • 714-776-6208 -FAX

## QM-360

### Pipeline & Cable Marker Visibility Enhancement Top



For applications requiring enhanced 360° visibility, the QM-360 is the perfect solution. The unique triangular configuration enhances the overall visibility of the Warning Message by clearly displaying a 3 dimensional message in all directions. Originally developed as an accessory for the Quantum Flex QM-375 marker, it can also be used on other posts such as steel U-Channel or as a wrap-a-round on a 4 X 4 wood post. Constructed of durable polyethylene, the QM-360 enhancer is weather and impact resistant and quickly attaches to the installed composite marker or steel U-Channel post.

The QM-360 enhancer ships and stores flat, folding into a 3 dimensional triangular shape during installation. This allows for cost effective and convenient shipping, storing and transporting of the product to the job site. Warning messages can be printed directly on the panels or the unit can be supplied blank and decals can be applied to the panels.



Fold panel into triangular shape and attach to the installed marker.



Enhancer is supplied with holes that can be used as a template to field drill existing marker.



Can be pop riveted or fastened with a nut and bolt assembly.



Open top and bottom design does not attract bees or other nesting insects.



Stores and stacks flat. Reduces shipping and storage costs. Takes up less space.



Warning message can be printed directly on the unit or decals can be applied to blank panel.

# Quantum Flex™

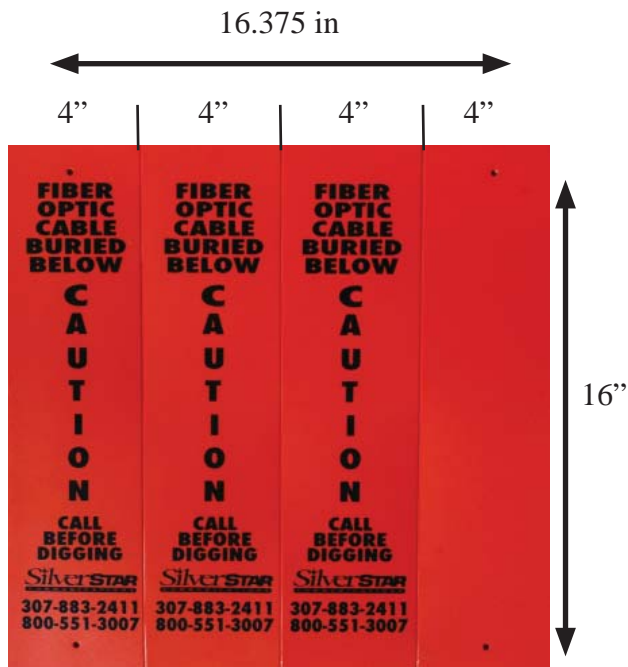
## Visibility Enhancement Top

### QM-360 Specifications

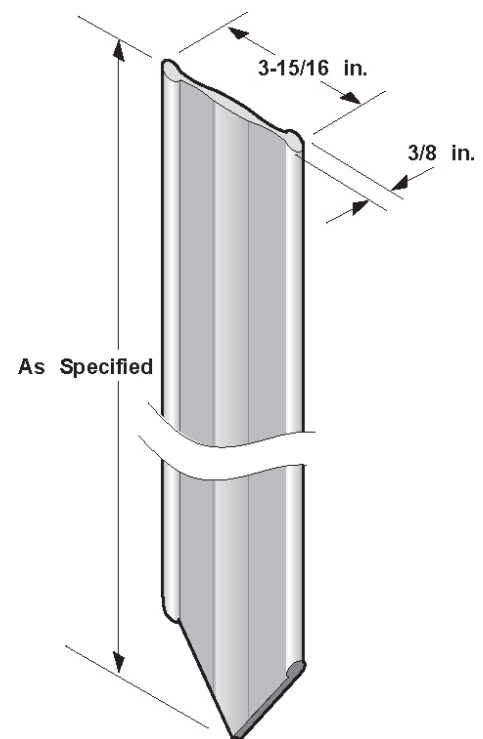
Material: Corona Treated HDPE (Hi Density Polyethylene)  
 Standard Size: 16" X 16.375 wide (Unfolded)  
 Thickness: .055"  
 Scoring: .125" scored on 4" panels for easy folding  
 Pre drilled with four 3/16" diameter holes  
 1" High Bond adhesive tape applied to first panel. Aids installation  
 Minimum order for custom printing: 100 units  
 Standard Color: Orange

#### Custom colors available:

White, Black, Reflex Blue, Med. Blue,  
 Emerald Green, Red, Yellow, Gray



4" scored sections fold to make triangular shape.  
 Last panel folds under first panel so it is blank on printed version. Decals under 16" length can be applied to blank panels separately.



Quantum Flex™ QM-375  
 Marker Profile

Designed to fit the Quantum Flex QM-375 marker to enhance overall visibility. Can also be used with most marker profiles less than 4" wide including wood post and steel U-Channel post.



Distributed by: